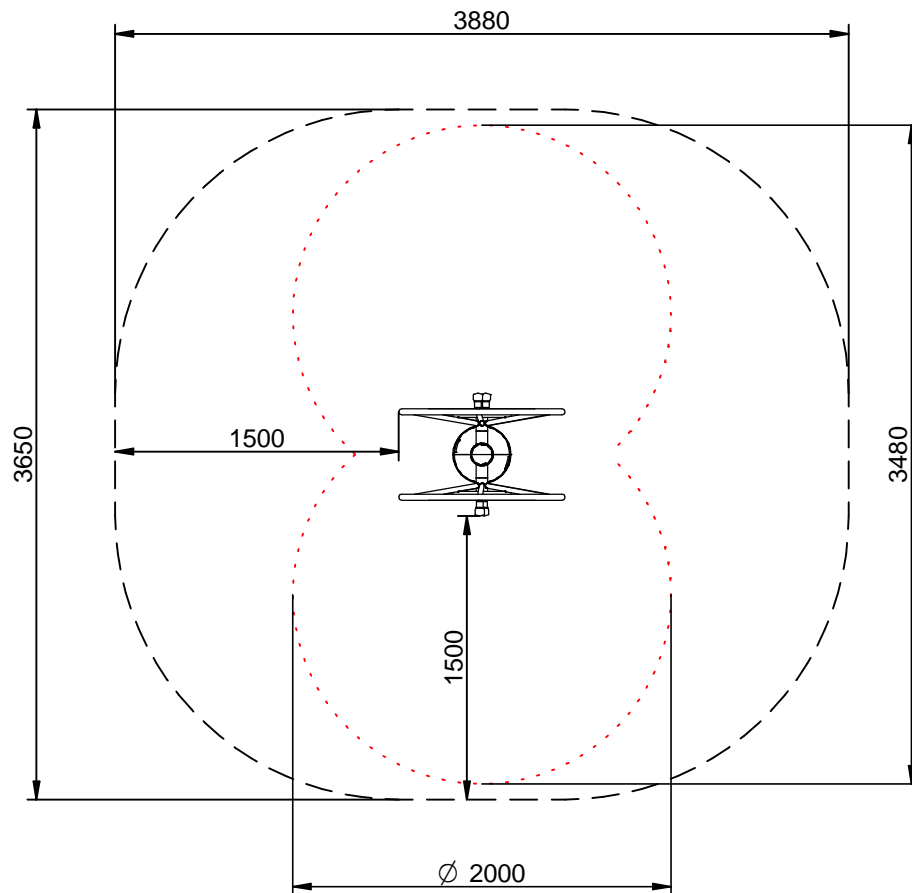
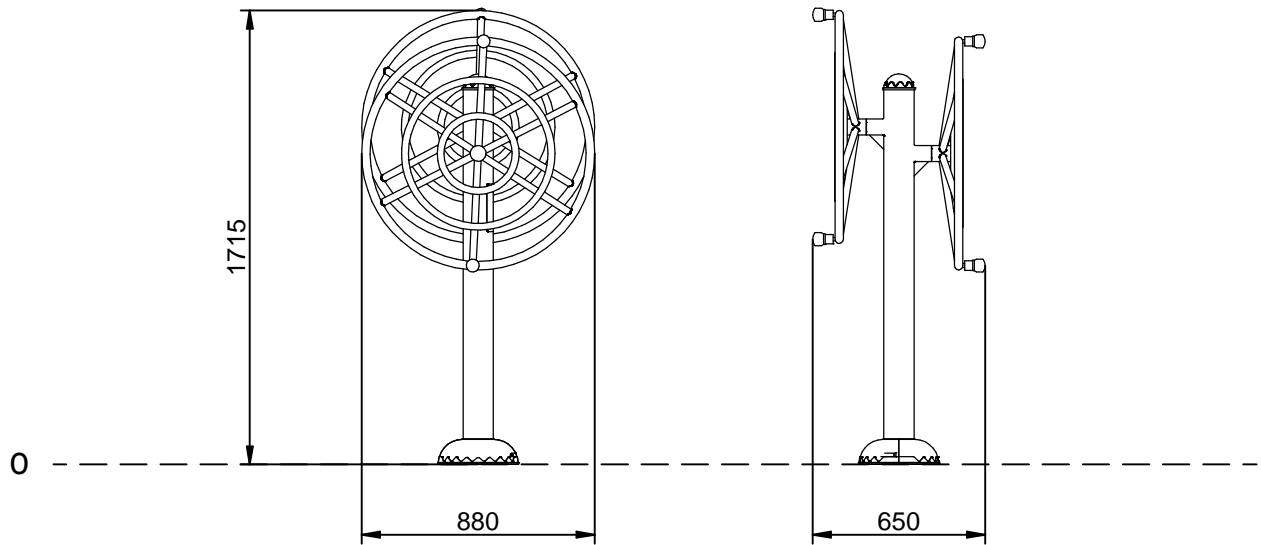


TIMÓN | GOUVERNAIL | RUDDER | VOLANTES GRANDES



Stotal = 12,20 m² H= 0 m

V 02.05/03/2018